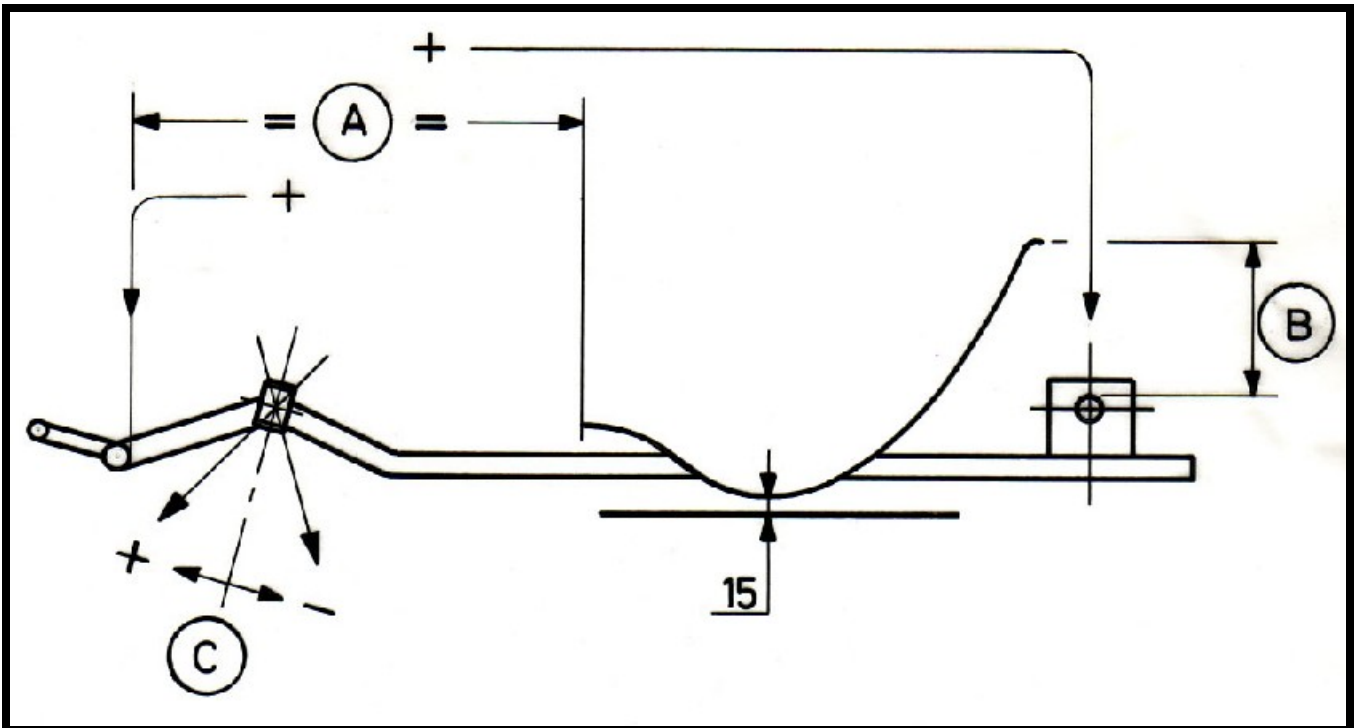




## POSIZIONE SEDILE / SEAT POSITION



### MODELLO TELAIO:

R31-R32-M32	A = 59	B = 22,5
CR31-CR32-CM32	A = 60	B = 22,5
Z32A/C	A = 60	B = 23
R30C-Y	A = 59	B = 23
J28-R	A = 54	B = 23
L28C-Y	A = 45,5	B = 21
C28C-X	A = 48	B = 21,5
B25-X	A = 42	B = 19